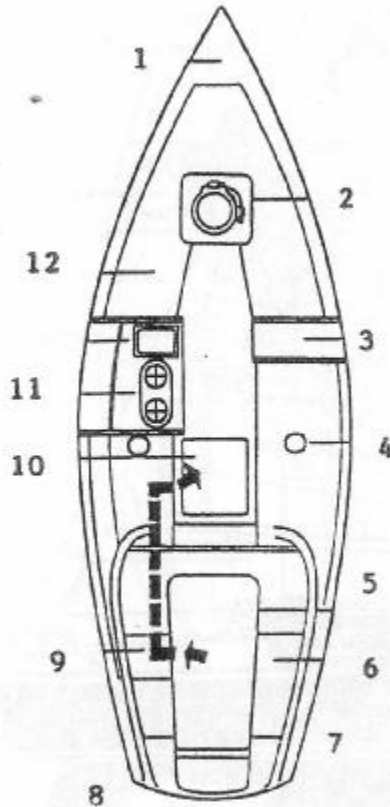


Snapdragon Plans and Dimensions

Snapdragon 21



STATISTICS

LOA	20ft 10ins	6.65m
LWL	19ft 00ins	5.49m
Beam	7ft 3ins	2.21m
Disp.	2200lbs	995kg
Ballast	1000lbs	453kg
Headroom	4ft 10ins	1.47m
Tonnage	4TM	
Draft	2ft 06ins	0.76m

SAIL AREAS

Main	105 sq ft	9.75 sq mtrs
Work. jib	80 sq ft	7.45 sq mtrs
Genoa	135 sq ft	12.6 sq mtrs
Storm jib	35 sq ft	3.26 sq mtrs
Spinnaker	250 sq ft	23.20 sq mtrs

PLAN

- 1 Anchor/chain lkr
- 2 Toilet (under)
- 3 Hanging space
- 4 Quarter berth
- 5 Bridge deck
- 6 Locker
- 7 Calor/inflam lkr
- 8 Outboard well (MK1)
- 9 Air/vent duct
- 10 Table
- 11 Galley
- 12 Ford. berths

Note: MK 2 version has outboard over stern. Water tank near galley(No 10)